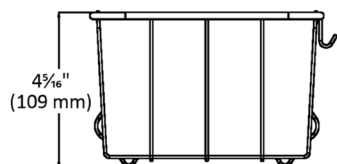
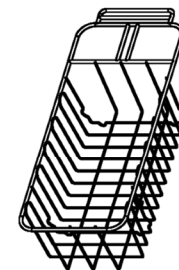
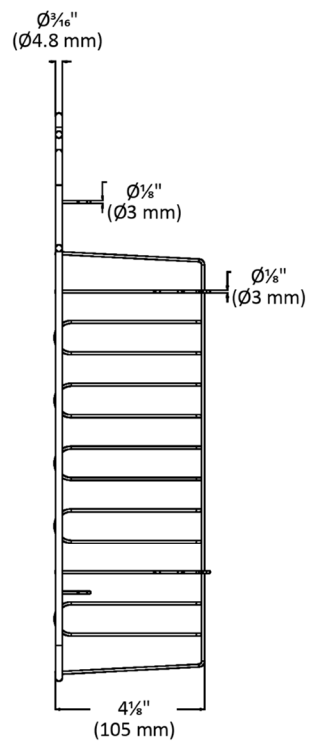
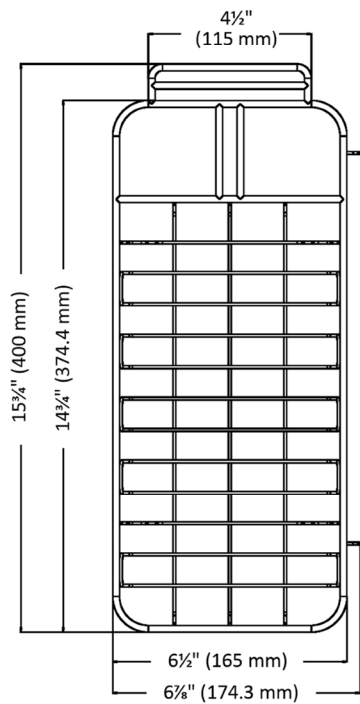


**NOTE:**

- \* The sink should be inspected by the customer upon receipt and before any preparation for installation.
- Any defective sink should be reported immediately and should NOT be installed.
- \* The cardboard template included in the sink package is supplied only as a guide.
- The actual use of the sink provides more accurate cutout.
- \* Requirements may vary for installation in a granite, marble, stone, or butcher block countertop.
- \* Installation by professional installers is highly recommended.
- Dawn assumes no liability for any damages incurred through the use of information provided in this publication or the installation.

Dawn Kitchen & Bath Products, Inc.  
 Model No: SRU251610-TW  
 Overall Size:  
 26½"X18"X10"

**FEATURES:**  
 Type 304 Stainless Steel  
 18 Gauge Thickness



Model No.: SF-4017