

Installation Instructions
Model: North Cascades Shower Set
DSSNS01C (Chrome) • DSSNS04BN (Brushed Nickel)
DSSNS06MB (Matte Black) • DSSNS08MAG (Matte Gold)



TABLE OF CONTENTS

Preparation	2
Materials & Tools	2
Parts	2
Installation & Usage	3-8
Care and Cleaning	9
Warranty	9
Return Policy	9
Asking for Assistance	9

Please read all instructions carefully before starting the installation.

PREPARATION

● **Before You Begin**

Before installing any Dawn product in your home, make sure you are in compliance with all local plumbing codes.

● **Check The Accessory Items**

Before installation, please check the condition of the product and, if appropriate, its components. If there is any problem with the product and/or its components, please contact the store you purchased it from for a replacement. As soon as you have inspected your product, please return it to its original packaging until you are ready to install it.

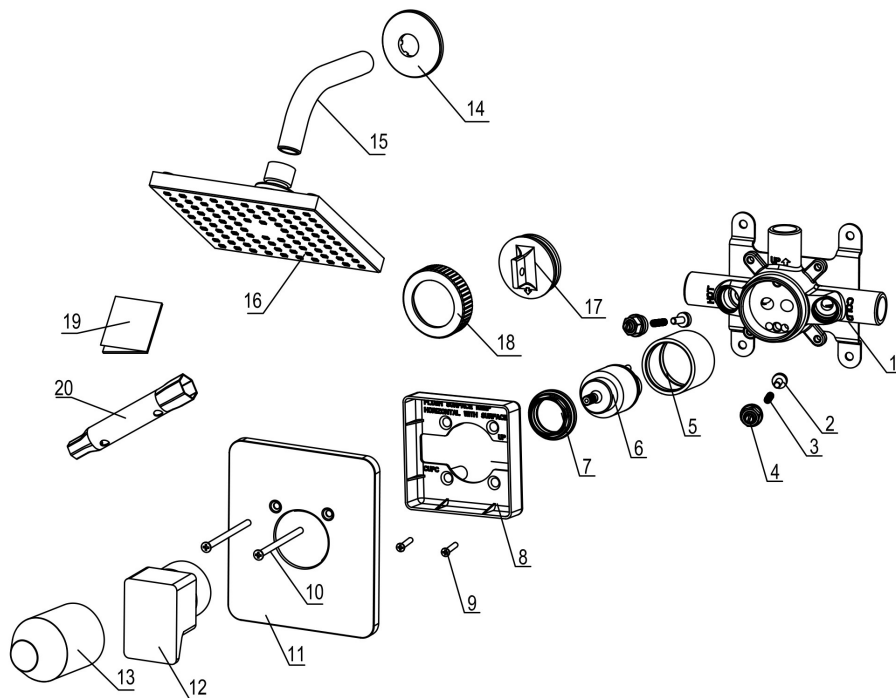
● **Handle With Care**

To protect its finish and avoid damage before and after installation, please handle the product with care. For care and cleaning tips after installation, please refer to the *Care and Cleaning Guide* in this instruction guide.

MATERIALS & TOOLS

Assorted Screwdrivers, Adjustable Wrenches, Pencil, Masking Tape, Thread Sealant, Other Tools as Needed.

PARTS



Item	Qty.	Item	Qty.	Item	Qty.	Item	Qty.
1. Valve Main Body	1	7. Cartridge Nut	1	13. Plastic Guard A	1	19. Manual	1
2. Washer	2	8. Plastic Guard	1	14. Cover Plate B	1	20. Socket Spanner	1
3. Spring	2	9. Screw	2	15. Shower Arm	1		
4. Nut	2	10. Cross Bolt	2	16. Rainhead	1		
5. Cartridge Cover	1	11. Cover Plate A	1	17. Diverter Plug	1		
6. Cartridge	1	12. Switch Handle	1	18. Switch Nut	1		

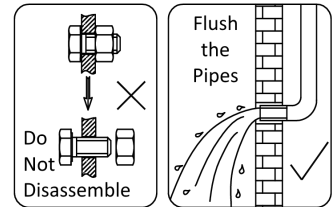
*Drawings are for reference only. Please refer to actual product for exact size, shape and parts.

*Dawn reserves the right to make revisions in the design of products without notice for improvement of its performance and quality.

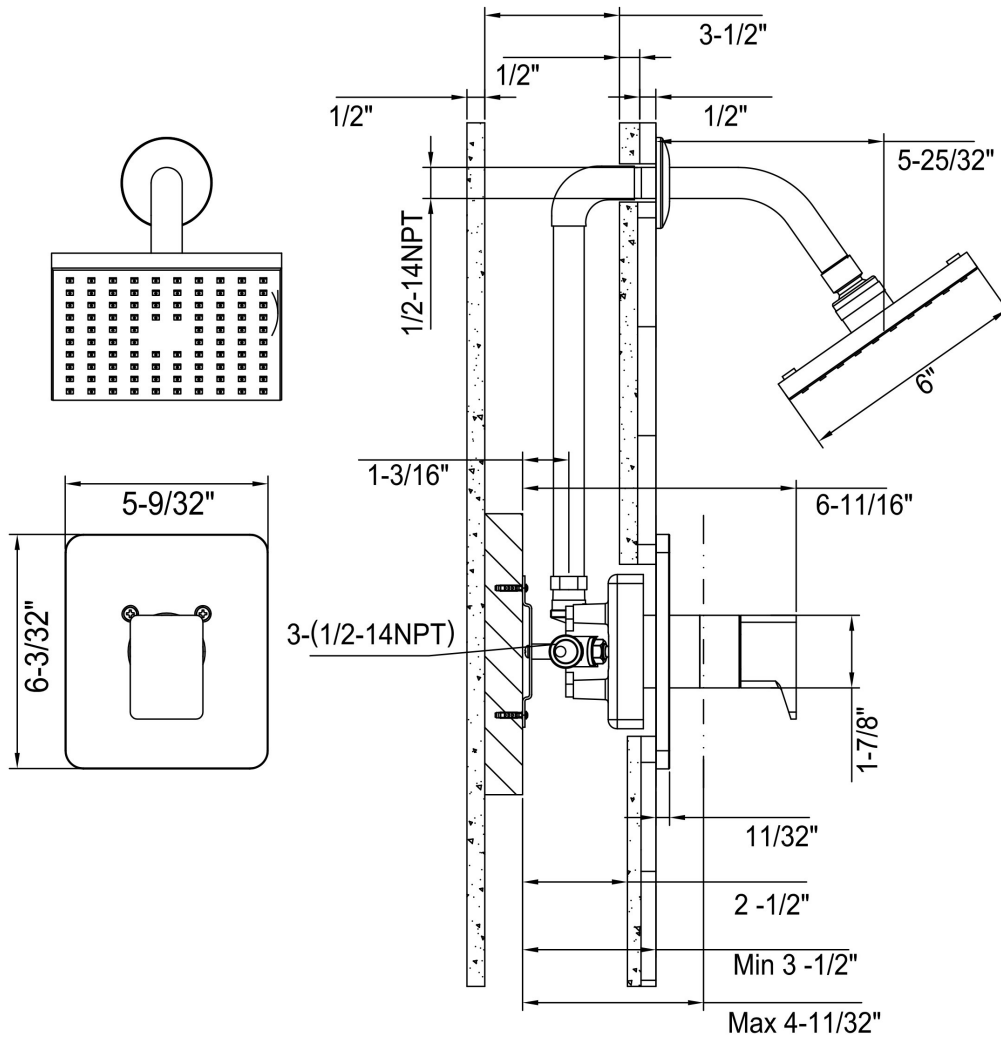
INSTALLATION

IMPORTANT: Recommended for professional installers only. The installer maintains responsibility for installing the product safely.

- * The product is already assembled. Do not disassemble it unless otherwise indicated.
- * Thoroughly clean the inside of all pipes with a cloth before installation.
- * Check all connections for leaks after installation.
- * Water pressure range: 0.05MPa to 1MPa (7.26 psi to 145 psi)
- Water temperature range: 39°F to 194°F (4°C to 90°C)

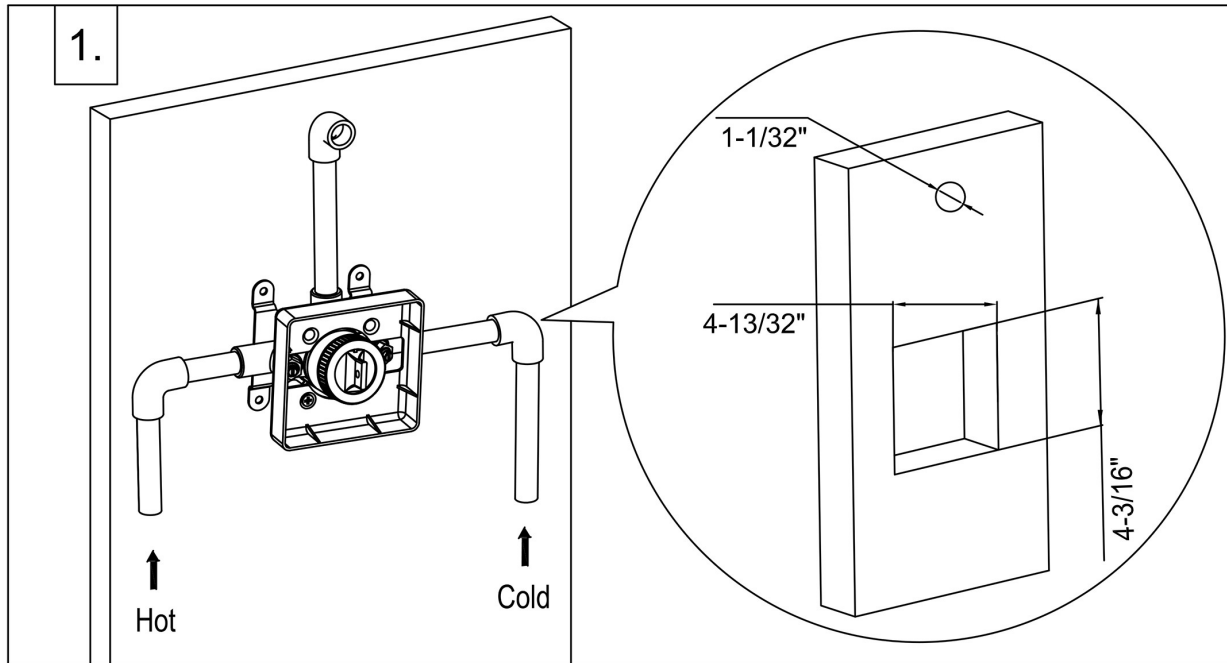


DIMENSIONS

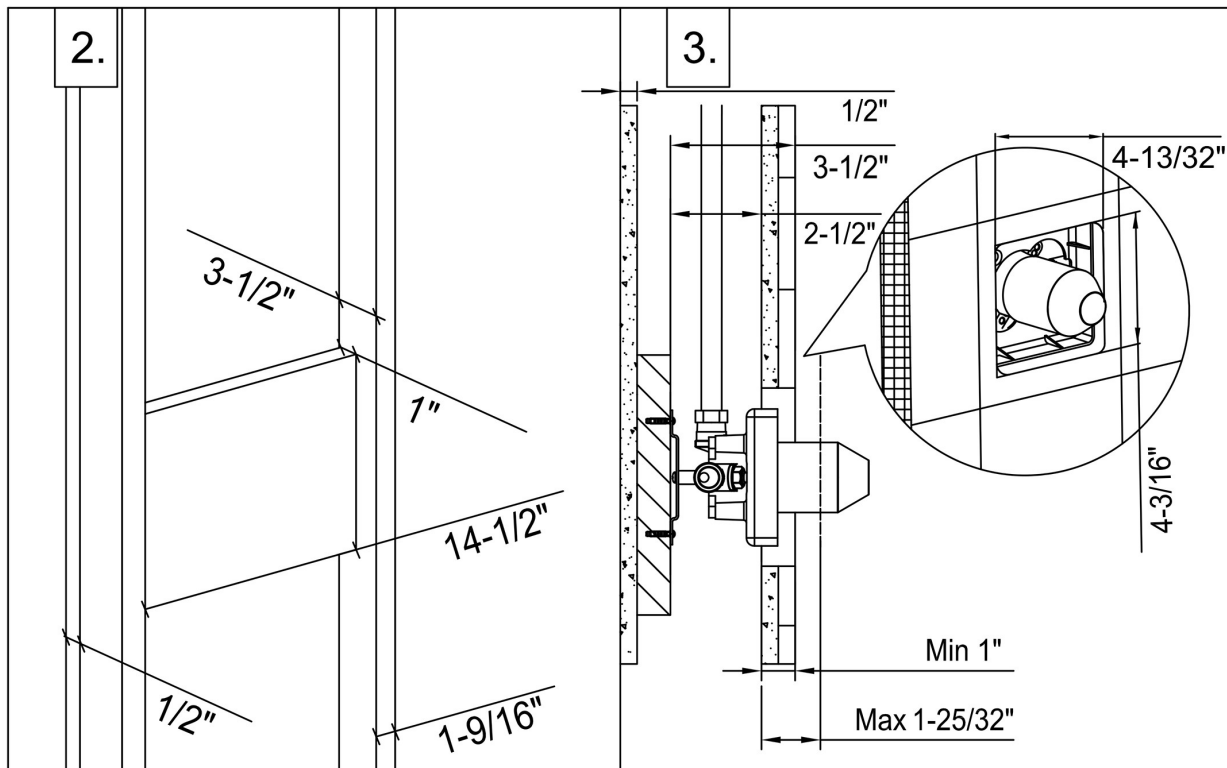


INSTALLATION

IMPORTANT: Recommended for professional installers only. The installer maintains responsibility for installing the product safely.



Connect pipes and make a wall hole as shown above.



Refer to the dimensions and install the wood beams.

Refer to the dimensions for the depth of installation for rough-in diverter valve as shown above.

INSTALLATION

IMPORTANT: Recommended for professional installers only. The installer maintains responsibility for installing the product safely.

4.

Mounting plate

Determine the location of the valve according to the thickness of the wall. Install the mounting plate.

Level bar

Drilling marks

5.

Level bar

Self-tapping screw

Use the level to locate the valve and make drill marks (refer to the dimensions on the diagram above).

6.

Level bar

Self-tapping screw

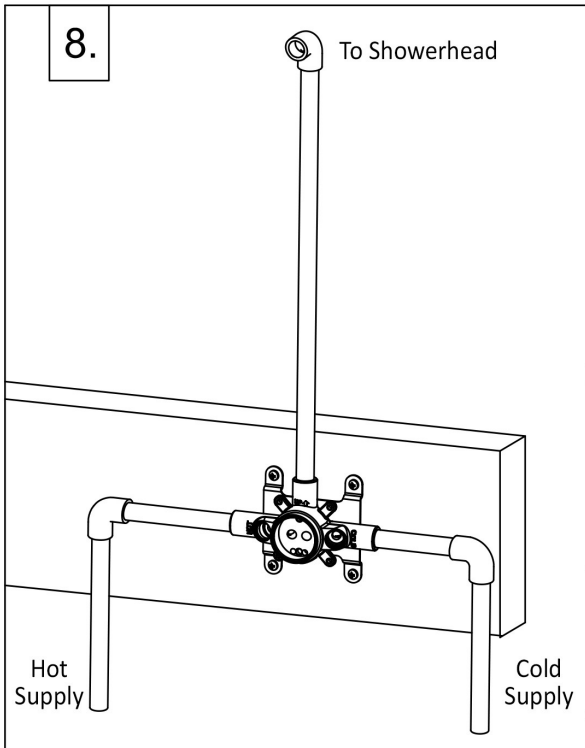
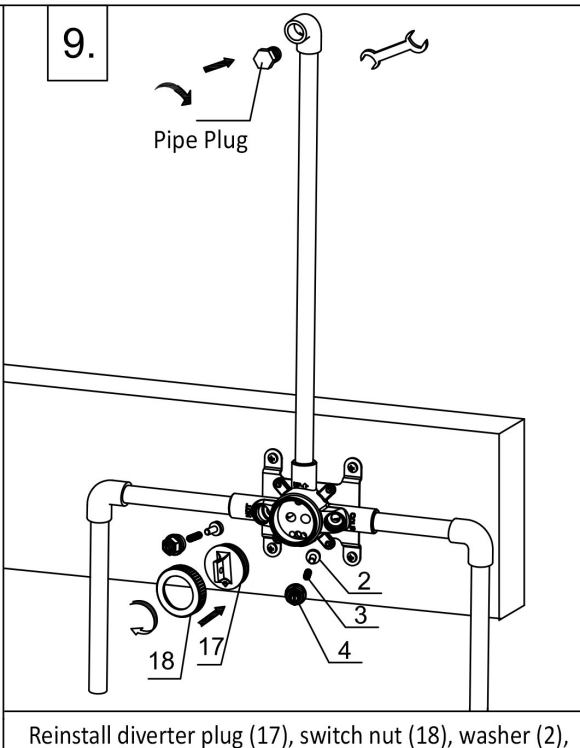
Install the valve to the mounting plate by drilling 4 tapping screws into the drill marks.

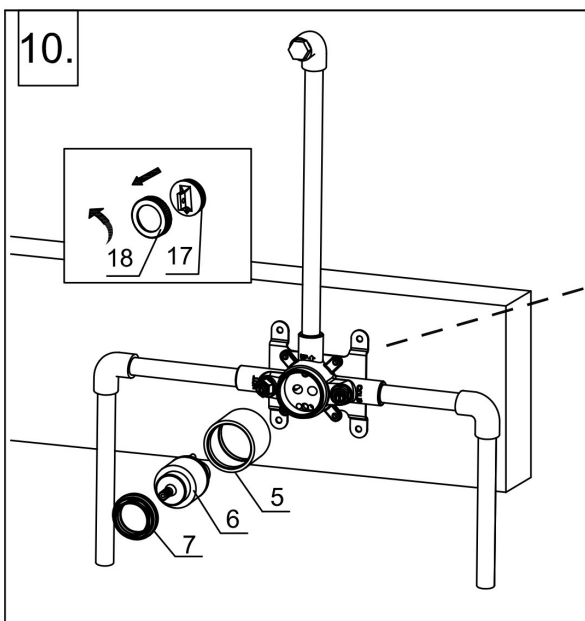
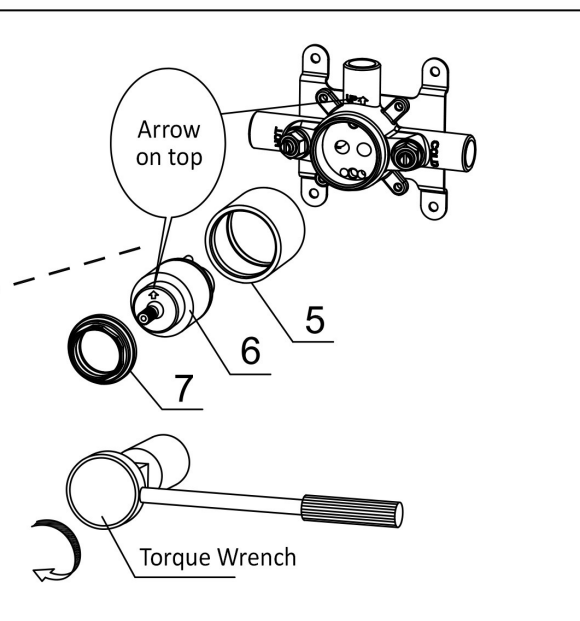
7.

Remove the switch nut (18), diverter plug (17), screws (9) and plastic guard (8).

INSTALLATION

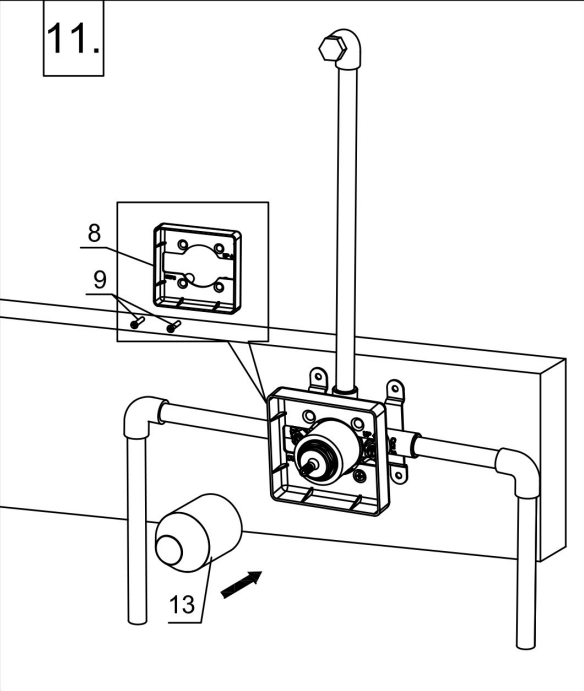
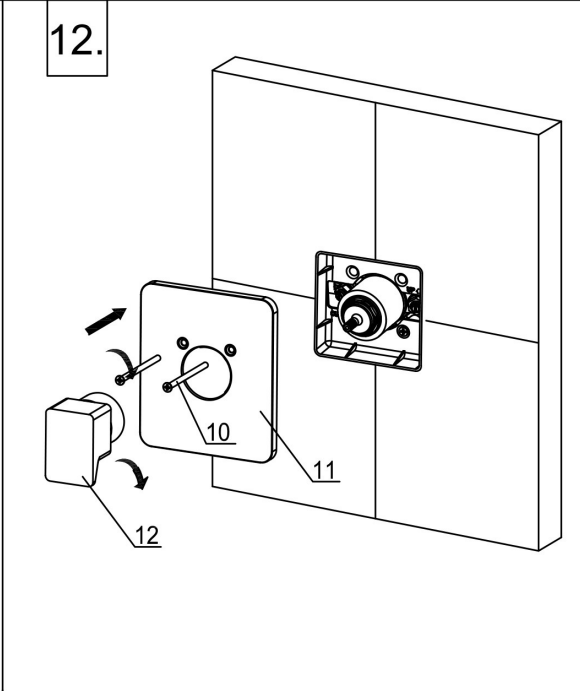
IMPORTANT: Recommended for professional installers only. The installer maintains responsibility for installing the product safely.

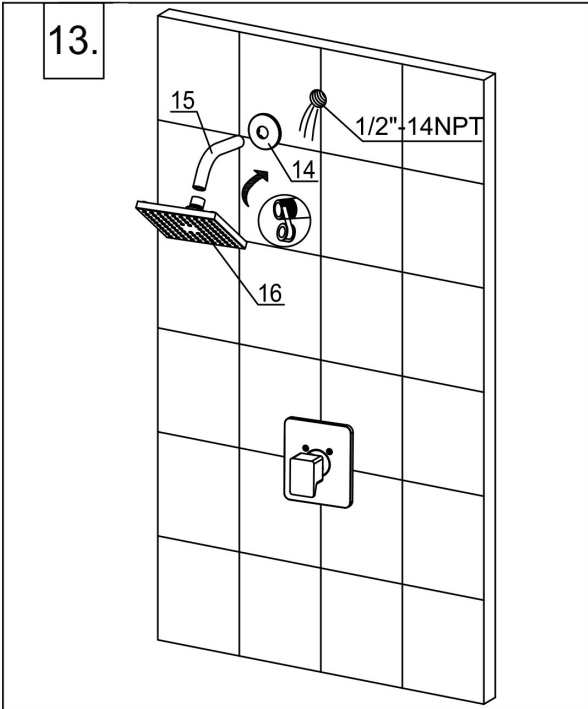
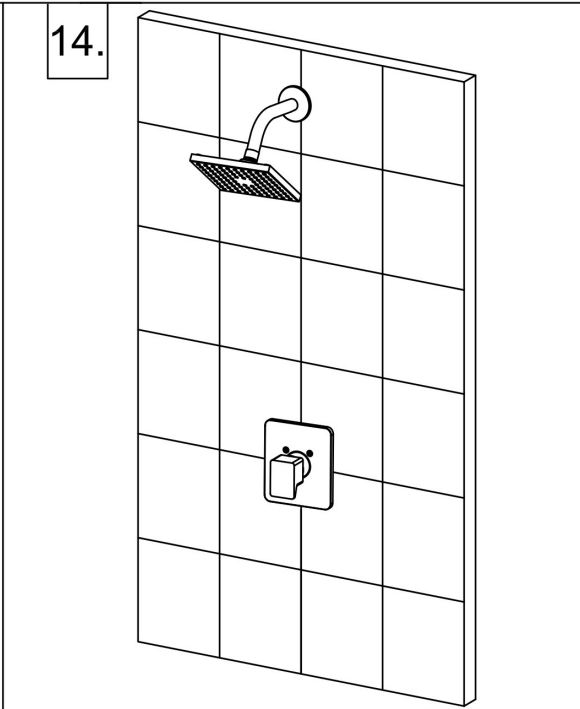
<p>8.</p> 	<p>9.</p> 
<p>Install piping and elbows to shower and bath outlets. Connect the water supplies. Apply sealant tape to all threaded connections</p>	<p>Reinstall diverter plug (17), switch nut (18), washer (2), spring (3), and nut (4) into the valve main body; and pipe plug to the shower outlet. Turn on the hot and cold water supplies and check for leaks, water pressure should be at or less than 1.6 Mpa.</p>

<p>10.</p> 	
<p>Remove the switch nut (18), and diverter plug (17) again. Install the cartridge cover (5), cartridge (6), and cartridge nut (7) into the valve main body. When installing the cartridge (6), make sure the arrow is on top pointing toward the valve. Use a torque wrench (10-12 Nm) to assemble. Turn the valve clockwise to the open position to test for tightness: water pressure should be at or less than 1.6 Mpa when open and 0.4 Mpa when closed.</p>	

INSTALLATION

IMPORTANT: Recommended for professional installers only. The installer maintains responsibility for installing the product safely.

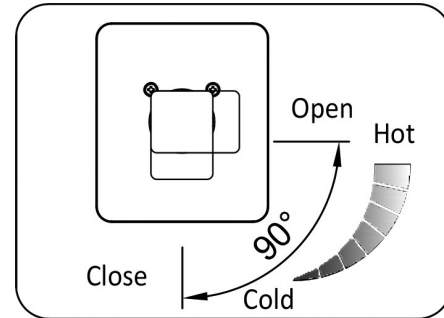
 <p>Diagram 11 shows a close-up of the shower cartridge assembly. A plastic guard (8) is being reinstalled onto the cartridge using screws (9). A separate plastic guard A (13) is shown with an arrow pointing towards the cartridge, indicating it should be used to cover the cartridge after the main guard is in place.</p>	 <p>Diagram 12 shows the cover plate (11) being installed onto the shower panel. Cross bolts (10) are used to secure the plate. An arrow (12) indicates the direction of the switch handle, which should be adjusted before tightening the bolts.</p>
<p>After finished testing, reinstall the plastic guard (8) with the screws (9); use the plastic guard A (13), to cover the cartridge. Seal the wall according to the construction requirements.</p>	<p>Remove the plastic guard, install the cover plate (11) by using the cross bolts (10), adjust the direction of the switch handle (12) before tightening it.</p>

 <p>Diagram 13 shows the shower arm (15) being installed into the shower panel. Thread seal tape is applied to the shower arm. Cover plate B (14) is then installed over the shower arm. The rainhead (16) is also shown being installed onto the shower arm. A label '1/2"-14NPT' is shown next to the shower arm.</p>	 <p>Diagram 14 shows the completed shower panel with the shower arm, cover plate, and rainhead installed. An arrow points to the shower arm, indicating that the water should be turned on to test the tightness of all joints.</p>
<p>Use thread seal tape to tape the shower arm (15) as shown above. Assemble and install the cover plate B (14), shower arm (15), and rainhead (16).</p>	<p>Turn on the water to test tightness of all joints to finish the installation.</p>

USAGE

IMPORTANT: Recommended for professional installers only. The installer maintains responsibility for installing the product safely.

- ◇ Turn the diverter handle counter-clockwise to turn on and increase hot water flow to higher water temperature.
- ◇ Operate reversely to turn off and decrease the water temperature from hot to cold.



LEGAL DISCLAIMER:

- This instruction guide is done as a public service to customers of Dawn Kitchen & Bath Products, Inc. ("Dawn"). For special situations or further assistance, please consult professionals.
- All products should be inspected by customers upon receipt and before any installation. Any defective product should be reported immediately and should NOT be installed.
- Requirements may vary for installation in a granite, marble, stone, or butcher block countertop.
- Installation by professional installers is highly recommended. Dawn assumes no liability for any damages incurred through the use of information provided in this guide.

CARE AND CLEANING

To maintain the product and to avoid possible damage:

1. Clean as and when required. Regular cleaning prevents scale buildup and water spotting.
2. To clean, flush with clean water and dry with a soft cloth.
3. To remove scale or water spots, only use cleaners made specifically for that purpose. Apply cleaners to cleaning cloths, pads, or sponges first; do not apply directly onto the product.
4. Do not allow any cleaning product to remain on your shower set for longer than necessary.
5. Do not use any abrasive cleaning products, such as scrubbing detergent, polisher, sand-cloth, paper tissue, or scrapper.
6. Do not use detergents or soaps that contain acid or that are undissolvable.
7. After cleaning, rinse thoroughly with clean water to remove any cleaner residue.



WARRANTY

Limited Lifetime Warranty

Dawn® warranties all of its products to be free from manufacturing defects in material and workmanship during normal residential use for as long as the original purchaser owns his or her home. This warranty only extends to the original consumer and this warranty is non-transferable. If any defect is found in normal residential use, Dawn® will, at its own election, repair, provide a replacement part of product, or make appropriate adjustment at no charge (excluding labor charges and other incidental or consequential costs). Damage to a product caused by accident, misuse, or abuse is NOT covered by this warranty. Improper care and cleaning will void the warranty. If Dawn® is unable to provide a replacement and repair cannot be made, Dawn® may elect to refund the purchase price to the original consumer purchaser in exchange for the return of the product. (IMPORTANT: The original consumer/purchaser should be responsible for inspecting products upon receipt. Any defective product should be reported immediately and should NOT be installed.)

DAWN® WARRANTIES DO NOT COVER, AND DAWN® DISCLAIMS ANY LIABILITY FOR:

1. Conditions or damage NOT resulting from defects in material or workmanship.
2. Conditions or damage resulting from:
 - Normal wear and tear, improper installation or maintenance, misuse, abuse, negligence, accident, moving (tipping) or alteration, scratches or handling damages.
 - Use of abrasive cleaning products or the use of the product in any manner contrary to the product instructions.
 - Conditions in the home such as excessive water pressure, water quality or corrosion.
3. Labor, shipping or other costs for removal, installation, replacement or return of product for warranty service.
4. Parts, accessories, connected materials or related products that are not manufactured by Dawn®.
5. Imperfections such as checks (small surface splits), pitch pockets (small dark holes), grain or darker mineral streaks are natural and are not considered defects.
6. An invoice number will be required for proof of purchase

Dawn® reserves the right to inspect any Dawn® product reported to be defective prior to any repair or replacement. Repair and replacement costs EXCLUDE shipping, labor, and consequential expenses.

To obtain warranty service, contact Dawn® either through your Dealer, Plumbing Contractor, Home Center or E-retailer, or by contacting Dawn® at the contact information listed below. Proof of purchase (original sales receipt) and description of problem must be provided with all warranty claims.

RETURN POLICY

You may only return new, uninstalled, or unused items sold and fulfilled by Dawn Kitchen & Bath Products, Inc. for a full refund within 30 days of delivery. Items must be returned in its original package. Returns of used items or returns after 30 days of delivery may be accepted with a 15% restocking fee. Dawn will pay for return shipping costs only if the return is a result of our fault. If you receive a faulty product and need to exchange it for the same product, please contact our customer service via phone, fax, or e-mail to request a replacement. If you would like to exchange a product for a different one, please first return the original product to our location at [27688 Industrial Blvd., Hayward, CA 94545](#) and then place a new order.

PARTIAL REFUNDS MAY BE GIVEN TO:

- Most of the items that are returned after 30 days of delivery
- Any item not returned in the condition it was delivered
- Any item that has obvious signs of use
- A 15% restocking fee will apply to all used items or items returned after 30 days of delivery.

ASKING FOR ASSISTANCE

Dawn Customer Service Department
27688 Industrial Blvd., Hayward, CA 94545
Toll-Free: 877-DAWN-USA (877-329-6872)
E-mail: dp@dawnusa.net Technical: tech@dawnusa.net Web: www.dawnusa.net